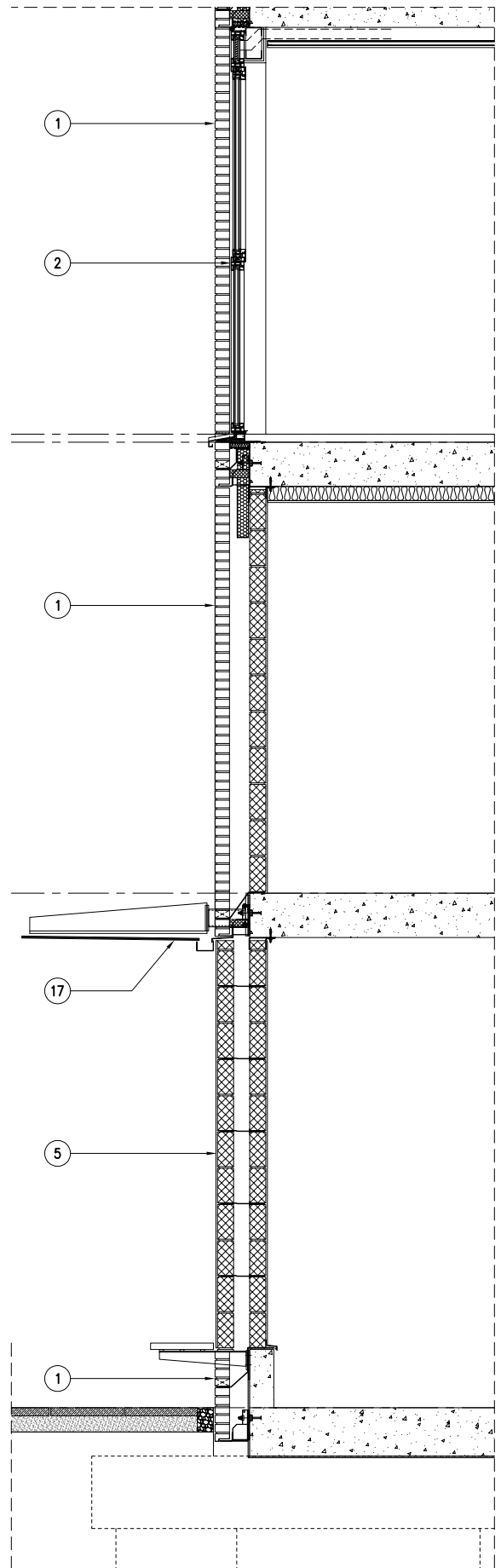


1 SOUTH ELEVATION EXTRACTS OF RESIDENTIAL
SCALE: 1:20 (A1)

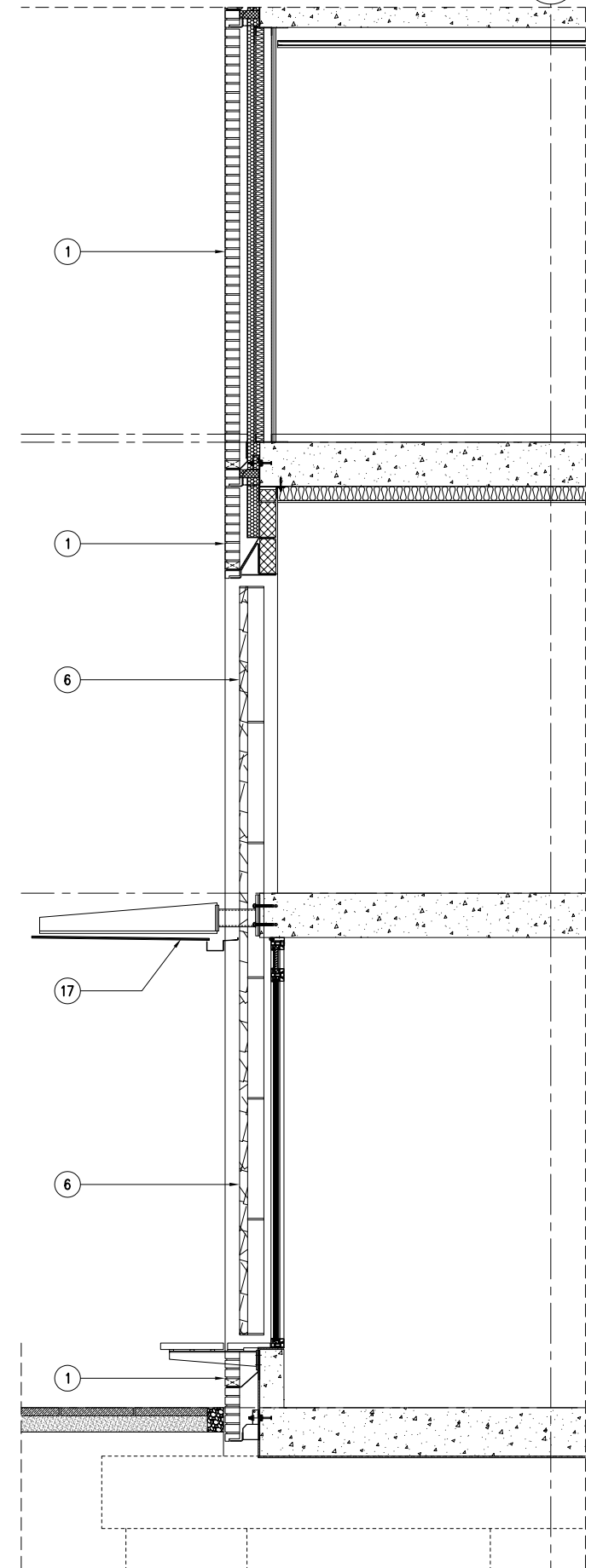
P02 FFL
54.850
▲
54.800
P02 SSL

P01 FFL
P01 SSL
52.000
▼

P00 FFL
P00 SSL
48.805
▼



2 SECTION A-A
SCALE: 1:20 (A1)



3 SECTION B-B
SCALE: 1:20 (A1)

- NOTES**
- 1 The Contractor must check and confirm dimensions
 - 2 All discrepancies must be reported and resolved by the Architect before works commence
 - 3 This drawing is not to be scaled
 - 4 All work and materials to be in accordance with current applicable Statutory Legislation and to comply with all relevant Codes of Practice and British Standards.

- MATERIALS KEY LEGEND:**
1. BRICKWORK
 2. METAL RECESSED WINDOWS WITH BRICKWORK REVEALS
 3. SLIDING WINDOWS
 4. METAL BALCONIES WITH STAINLESS STEEL HANDRAIL, GLASS BALUSTRADE WITH LOW LEVEL FRIT AND METAL SOFFIT PANELS.
 5. TILED WALL
 6. CAR PARK VENTILATION INCORPORATING ARTWORK
 7. WINDOWS WITH METAL PANELS
 8. OPENABLE WINDOWS
 9. CANOPY
 10. METAL WINDOWS WITH STAGGERED GLAZING, TO HOTEL.
 11. FEATURE WALL OVER STATION ENTRANCE FORMED FROM COLOURED GLASS AND GLAZED INSULATED SHADOW BOX PANELS.
 12. WINDOW AND METAL PANEL SYSTEM
 13. RENDER WALL
 14. GLASS CHANNEL STAIR CORE
 15. METAL PANEL TO HOTEL
 16. HOTEL SIGNAGE
 17. FRITTED GLASS CANOPY

P02
FFL 54.850
▼

P1 ISSUED FOR PLANNING SUBMISSION 09/12/09
Rev | Date

ROLFE JUDD
PLANNING
ARCHITECTURE
INTERIORS
Old Church Court
The Oval
London SW18 1NZ
Telephone: 020 7556 1500
Fax: 020 7556 1501
www.rolfe-judd.co.uk

Client
Solum
REGENERATION
Network Rail & Kier in partnership

Project
EPSOM STATION
Drawing
**DETAIL BAY
ELEVATION AND SECTION 4**

Scale 1:20 (A1)	Date NOV 09	Drawn MB
Drawing No 4630 / T21S104	Revision P1	
CAD Ref No G:\4630\T_Series\T20\T21S104		
© Copyright Rolfe Judd Ltd		

This scale is 100mm in length when printed of the size indicated in the title block.